

Freedom Flex™

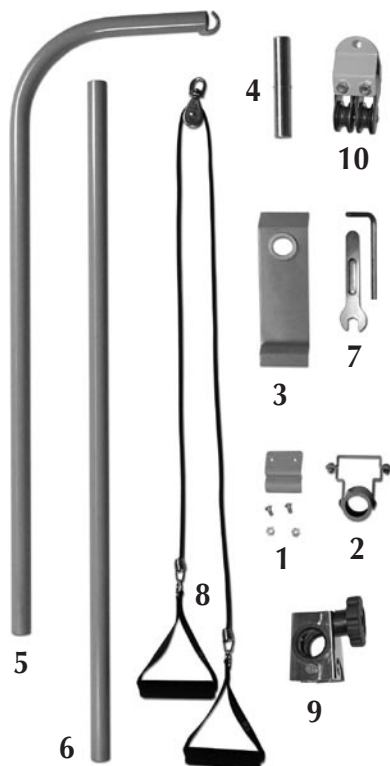
*Shoulder Stretcher Attachment
to the Resistance Chair® System*

Model No. CFC-140

Assembly and Operation Guide

Please read this guide completely before attempting to assemble or use the Freedom Flex shoulder stretcher.

IMPORTANT: The Freedom Flex™ shoulder stretcher is designed to be used only with the Resistance Chair® exercise system from VQ ActionCare. **DO NOT** attempt to attach this device to any chair other than the Resistance Chair® (Model CFC-100).



PARTS CHECKLIST

The following items are included in the Freedom Flex box:

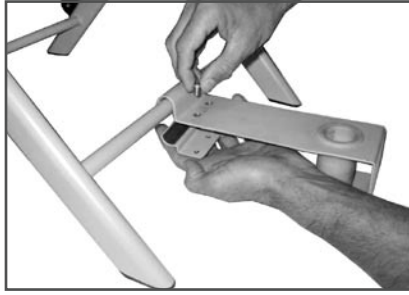
1. Small screws and nuts
2. Bolts and screws
3. Lower mounting bracket
4. Tube connector bar
5. Upper support tube
6. Lower support tube
7. Hex wrench and crescent wrench
8. Stretching rope with pulley and handles
9. Saddle Hook assembly for use with resistance cables
10. Dual pulley attachment for use with resistance cables

Assembly Procedure

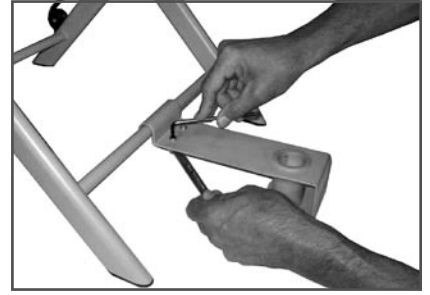
Follow the steps outlined below to ensure the correct assembly of your Freedom Flex shoulder stretcher.



- 1.** Attach the lower mounting bracket on the crossbar at the rear of the Chair. Make sure to center the bracket in the middle of the crossbar.



- 2.** Using the two bolts and nuts included in the box, attach the bottom plate to the underside of the bottom mounting bracket.



- 3.** Tighten the nuts with the hex wrench so that the lower mounting bracket is tightly secured to the cross bar. Use a crescent or open end wrench to secure the nut on the underside of the bracket.



- 4.** Both pieces of the upper mounting bracket wrap around the center column of the balance bar at the top of the Resistance Chair backrest.



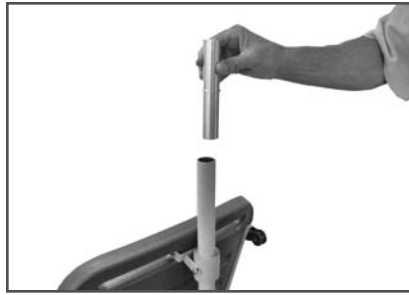
- 5.** Use a hex wrench and crescent wrench to tighten the mounting bolts and make sure the upper bracket is securely attached to the Resistance Chair.



- 6.** Once the upper bracket is bolted to the Chair, slide the lower support tube down through the upper mounting bracket.



- 7.** Slide the lower support tube down through the hole in the lower mounting bracket.



- 8.** Install the tube connector bar into the top of the lower support tube. This should fit snugly, without too much play.



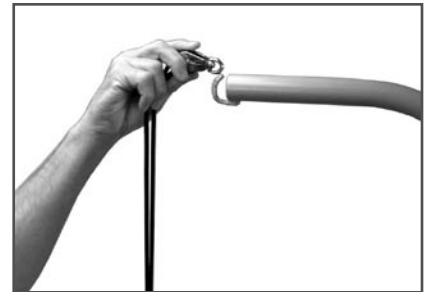
- 9.** Slide the upper support tube down onto the center connector, making sure that both upper and lower support tubes slide all the way onto the tube connector bar.



- 10.** When both the upper and lower support tubes are properly attached, only the thin center ridge of the aluminum connector is visible.



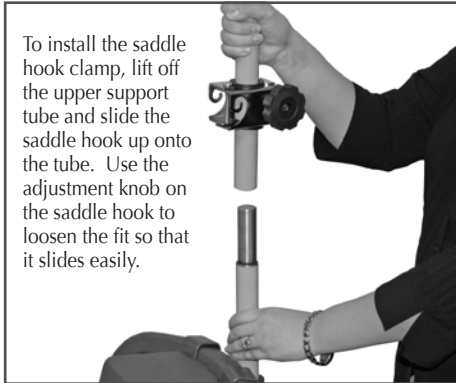
- 11.** After the upper mounting bracket is installed, you can attach the Posture Prop to the backrest.



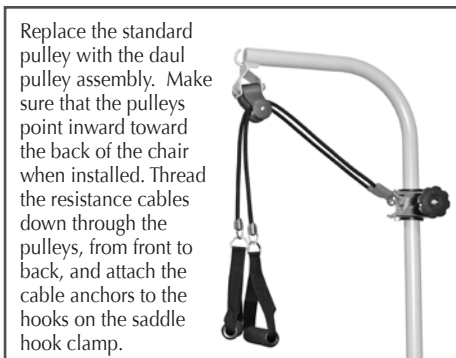
- 12.** As the final assembly step, hang the cable and pulley onto the pulley hook at the upper end of the upper support tube.

Installing the Saddle Hook and Dual Pulley Attachments

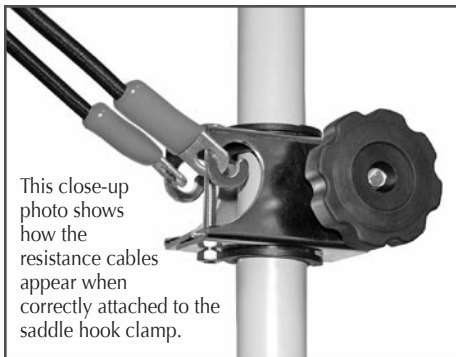
The saddle hook and dual pulley attachments allow you to use resistance cables on the Freedom Flex assembly, which enables you to do a wide range of strength-building exercises.



To install the saddle hook clamp, lift off the upper support tube and slide the saddle hook up onto the tube. Use the adjustment knob on the saddle hook to loosen the fit so that it slides easily.



Replace the standard pulley with the dual pulley assembly. Make sure that the pulleys point inward toward the back of the chair when installed. Thread the resistance cables down through the pulleys, from front to back, and attach the cable anchors to the hooks on the saddle hook clamp.



This close-up photo shows how the resistance cables appear when correctly attached to the saddle hook clamp.

For ideas on how to use your resistance cables for strength-building exercises using the saddle hook and dual pulley system, please refer to the "medical protocol" section of our web site, www.VQActionCare.com

Tips for Using the Freedom Flex Shoulder Stretcher

There are a variety of ways that you can use the Freedom Flex to stretch your shoulders and to improve and restore flexibility. The guidelines illustrated below provide some tips for the most effective use of the Freedom Flex system. Remember to avoid sudden movements when stretching the shoulder joint and keep your weight on the chair seat at all times.



For best results when using the stretching rope, the rope length should be adjusted so that your arms are just above parallel with the ground when both arms are stretched out in front (as shown at left).



One method of stretching the shoulders is to raise and lower your arms directly in front of your body while keeping your elbows straight. During this movement, your lower arm will end up on the outside of your hip. (as shown at right)



You can also keep your elbows bent while raising and lowering your arms.



Another method is to raise and lower your arms out to your sides, like the arms of a clock, as shown in the photo at right.



Use the adjustable buckles on the handles to adjust the length of the cable to suit your height.

◀ **IMPORTANT:** When the Freedom Flex is attached to the Resistance Chair, remove the upper support pole from the Freedom Flex before folding the chair.

CAUTION: always consult with your physician before using this, or any other, piece of exercise equipment. If you suffer from shoulder injury, use the Freedom Flex shoulder stretcher under the supervision of your doctor or physical therapist.

IMPORTANT SAFETY PRECAUTIONS

1. Consult with your physician before using the Freedom Flex™ shoulder stretcher.
2. Set up the Freedom Flex™ shoulder stretcher on a solid, level, and preferably carpeted surface.
3. The Freedom Flex™ shoulder stretcher is designed to be used only with the Resistance Chair exercise system from VQ ActionCare. DO NOT attempt to attach the Freedom Flex™ shoulder stretcher onto any chair other than the Resistance Chair (model CFC-100).
4. Always remain seated on the Freedom Flex™ while applying any downward tension on the stretching cable. DO NOT take your weight off the seat while using the Freedom Flex shoulder stretcher. (see photo upper right)
5. Do not hang on the upper support tube.
6. The cable and pulley assembly of the Freedom Flex™ shoulder stretcher is designed to hold a maximum weight of 60 pounds. Do not attempt to pull up your body weight using this cable assembly (see photo lower right).
7. Children should only use the Freedom Flex™ shoulder stretcher under adult supervision.
8. Always check to make sure that the bolts on the upper and lower mounting brackets are securely in place and tightened before each use of the equipment.
9. When using the dual pulley and saddle hook attachments, always make sure the saddle hook clamp is locked tightly to the upper tube before using cables.



CUSTOMER SERVICE AND WARRANTY REGISTRATION: For warranty information and to register your purchase, submit your information in the on-line warranty form found on the “Warranty” page of our web site at: www.VQActionCare.com For customer service, contact the VQ ActionCare distributor in your country. A directory of international distributors can be found on the “Contact Us” page of our web site.

Physical Therapists: Visit our web site to learn more about medical protocols that utilize the Freedom Flex™ shoulder stretcher and Resistance Chair® systems.

Copyright ©2008 VQ ActionCare, LLC. All rights reserved. No part of this document may be reproduced or utilized in any form or by any means electronic, mechanical, or otherwise without the expressed written consent of the copyright holder. Resistance Chair®, Freedom Flex™, PostureProp™, and Health Step™, are trademarks of VQ ActionCare, llc. Resistance Chair® U.S. Patent No. 7,322,907. Resistance Anchor Cables™, PostureProp™, and Health Step™ are all patent pending.